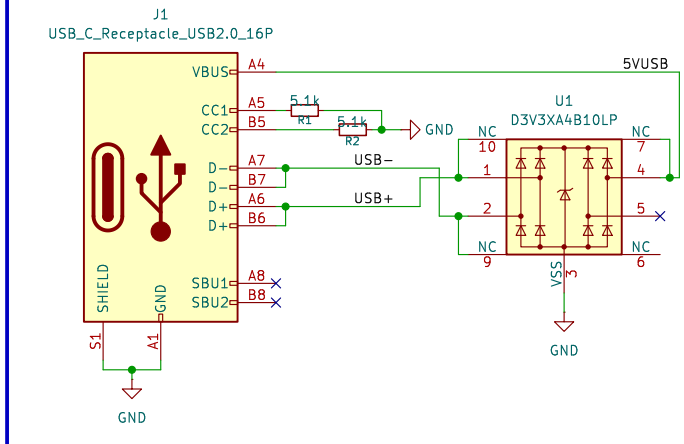
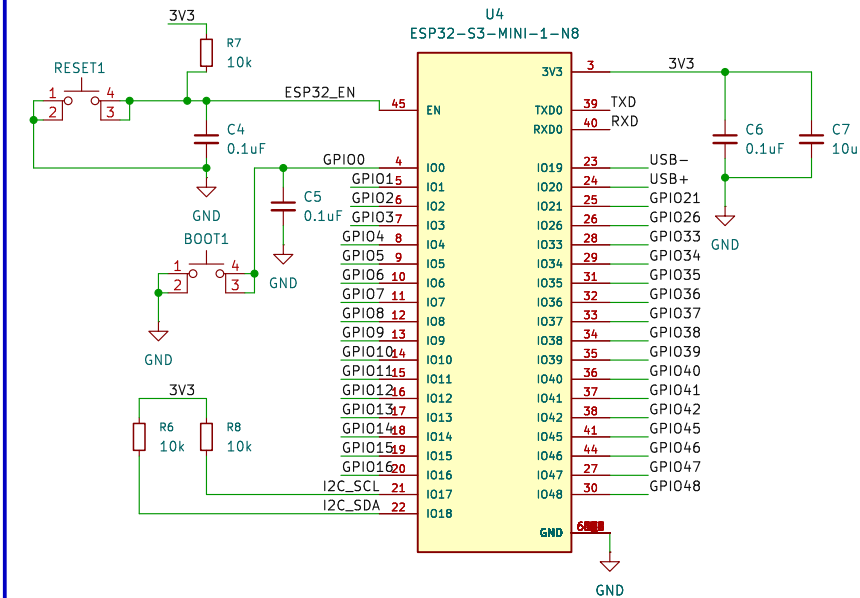


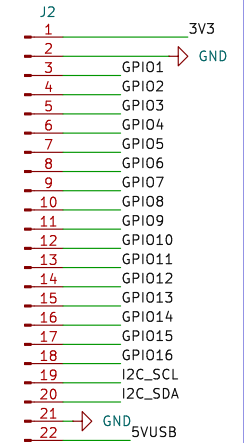
## USB C



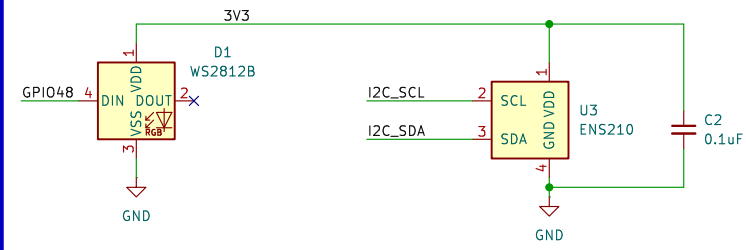
## ESP32-S3-MINI



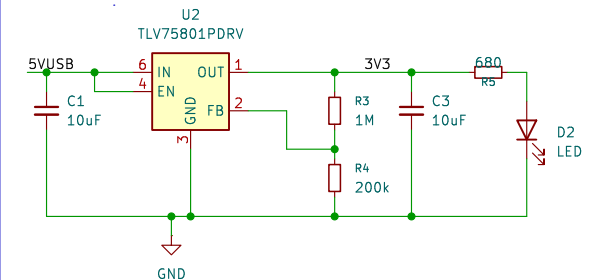
## HEADER 1



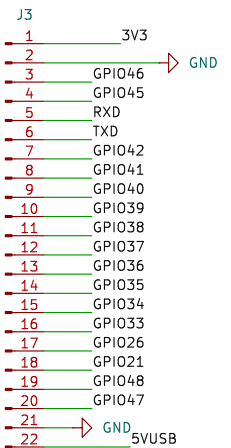
## RGB LED & HUMIDITY/TEMP SENSOR



## LDO REGULATOR



## HEADER 2



(Temp/Humidity Sensor + RGB LED Included)

Andres Moreno Navarro

Sheet: /

File: ESP32 Dev module.kicad\_sch

**Title: ESP32-S3-MINI DEV Module**

Size: A4

Date: 2026-04-05

Rev: v1.0

KiCad E.D.A. 9.0.6

Id: 1/1